

Алматы (7273)495-231
Ангарск (3955)60-70-56
Архангельск (8182)63-90-72
Астрахань (8512)99-46-04
Барнаул (3852)73-04-60
Белгород (4722)40-23-64
Благовещенск (4162)22-76-07
Брянск (4832)59-03-52
Владивосток (423)249-28-31
Владикавказ (8672)28-90-48
Владимир (4922) 49-43-18
Волгоград (844)278-03-48
Вологда (8172)26-41-59
Воронеж (473)204-51-73
Екатеринбург (343)384-55-89

Ижевск (3412)26-03-58
Иваново (4932)77-34-06
Иркутск (395)279-98-46
Казань (843)206-01-48
Калининград (4012)72-03-81
Калуга (4842)92-23-67
Кемерово (3842)65-04-62
Киров (8332)68-02-04
Коломна (4966)23-41-49
Кострома (4942)77-07-48
Краснодар (861)203-40-90
Красноярск (391)204-63-61
Курск (4712)77-13-04
Курган (3522)50-90-47
Липецк (4742)52-20-81

Магнитогорск (3519)55-03-13
Москва (495)268-04-70
Мурманск (8152)59-64-93
Набережные Челны (8552)20-53-41
Нижний Новгород (831)429-08-12
Новокузнецк (3843)20-46-81
Ноябрьск (3496)41-32-12
Новосибирск (383)227-86-73
Омск (3812)21-46-40
Орел (4862)44-53-42
Оренбург (3532)37-68-04
Пенза (8412)22-31-16
Петрозаводск (8142)55-98-37
Псков (8112)59-10-37
Пермь (342)205-81-47

Ростов-на-Дону (863)308-18-15
Рязань (4912)46-61-64
Самара (846)206-03-16
Саранск (8342)22-96-24
Санкт-Петербург (812)309-46-40
Саратов (845)249-38-78
Севастополь (8692)22-31-93
Симферополь (3652)67-13-56
Смоленск (4812)29-41-54
Сочи (862)225-72-31
Ставрополь (8652)20-65-13
Сыктывкар (8212)25-95-17
Сургут (3462)77-98-35
Тамбов (4752)50-40-97
Тверь (4822)63-31-35

Тольяти (8482)63-91-07
Томск (3822)98-41-53
Тула (4872)33-79-87
Тюмень (3452)66-21-18
Улан-Удэ (3012)59-97-51
Ульяновск (8422)24-23-59
Уфа (347)229-48-12
Хабаровск (4212)92-98-04
Чебоксары (8352)28-53-07
Челябинск (351)202-03-61
Череповец (8202)49-02-64
Чита (3022)38-34-83
Якутск (4112)23-90-97
Ярославль (4852)69-52-93

Киргизия (996)312-96-26-47

Россия (495)268-04-70

Казахстан (772)734-952-31

<https://chaosensor.nt-rt.ru> || crx@nt-rt.ru

Датчик ветра





>> Application Area

- Weather monitoring stations
- Safety monitoring of high altitude equipment
- Ports and Marine vessels
- Solar and wind power generation
- Mobile weather monitoring vehicles



All in one wind speed and direction sensor is my company independent research and development, the production of a measuring instrument, wind speed and direction sensor shell adopts polycarbonate composite materials, has a good anti corrosive and prevent erosion etc, to ensure that the sensor use for a long time no rust cut phenomenon, at the same time, cooperate with internal smooth bearing system, to ensure that the information acquisition. Internal integrated photoelectric conversion mechanism, industrial microcomputer processor, standard current generator, current driver, etc.

PCB of circuit adopts military grade A material to ensure the stability of measurement parameters and electrical performance; Electronic components are imported industrial chip, so that the overall has a very reliable anti-electromagnetic interference ability, can ensure the host in $-30^{\circ}\text{C} \sim 75^{\circ}\text{C}$, humidity 5% ~ 95%RH (no condensation) range can work normally.

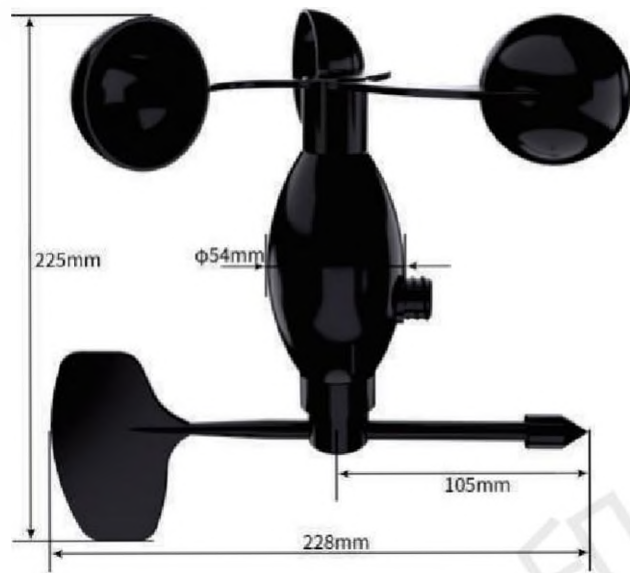
After product upgrade, output signal is diverse, wired output includes: analog signal (voltage, current), digital signal RS485; Wireless output includes: LoRa, Bluetooth, WIFI, GPRS, 4G, NB-LOT, CAT-1. Besides LoRa and Bluetooth, the other four forms of wireless output can be connected to osx intelligent cloud platform to achieve intelligent terminal data monitoring and management.

Feature

- (1) Adopt integrated design, small volume, convenient installation.
- (2) High measurement accuracy, fast response speed, good interchangeability.
- (3) Truly achieve low cost, low price and high performance.
- (4) High data transmission efficiency, reliable performance, to ensure normal operation.
- (5) Wide range of power supply, good linearity of data information, long signal transmission distance

Specification

Measuring range	0 ~ 30m/s; 0 ~ 50m/s; 0 ~ 60m/s; (Support for custom)
Starting wind speed	≤0.3m/s
Accuracy	± (0.3 + 0.03V) m/s
Output signal	Voltage signal (Choose one of three 0 ~ 2V, 0 ~ 5V, 0 ~ 10V) 4 ~ 20mA (Current loop) RS485 (Standard Modbus-RTU protocol, device default address: 01)
Power supply voltage	5 ~ 24V DC (When the output signal is 0 ~ 2V, RS485) 12 ~ 24V DC (When the output signal is 0 ~ 5V, 0 ~ 10V, 4 ~ 20mA)
Stabilization time	< 1s
Response time	< 1s
Working temperature	- 30°C ~ 70°C
Working humidity	≤100%RH
Storage temperature	- 30°C ~ 70°C
Storage humidity	≤100%RH
Cable specification	2m 3-wire system (Analog signal); 2m 4-wire system (RS485) (Optional cable length)



Install



Optional



Optional

Алматы (7273)495-231
 Ангарск (3955)60-70-56
 Архангельск (8182)63-90-72
 Астрахань (8512)99-46-04
 Барнаул (3852)73-04-60
 Белгород (4722)40-23-64
 Благовещенск (4162)22-76-07
 Брянск (4832)59-03-52
 Владивосток (423)249-28-31
 Владикавказ (8672)28-90-48
 Владимир (4922) 49-43-18
 Волгоград (844)278-03-48
 Вологда (8172)26-41-59
 Воронеж (473)204-51-73
 Екатеринбург (343)384-55-89

Ижевск (3412)26-03-58
 Иваново (4932)77-34-06
 Иркутск (395)279-98-46
 Казань (843)206-01-48
 Калининград (4012)72-03-81
 Калуга (4842)92-23-67
 Кемерово (3842)65-04-62
 Киров (8332)68-02-04
 Коломна (4966)23-41-49
 Кострома (4942)77-07-48
 Краснодар (861)203-40-90
 Красноярск (391)204-63-61
 Курск (4712)77-13-04
 Курган (3522)50-90-47
 Липецк (4742)52-20-81

Киргизия (996)312-96-26-47

Магнитогорск (3519)55-03-13
 Москва (495)268-04-70
 Мурманск (8152)59-64-93
 Набережные Челны (8552)20-53-41
 Нижний Новгород (831)429-08-12
 Новокузнецк (3843)20-46-81
 Ноябрьск (3496)41-32-12
 Новосибирск (383)227-86-73
 Омск (3812)21-46-40
 Орел (4862)44-53-42
 Оренбург (3532)37-68-04
 Пенза (8412)22-31-16
 Петрозаводск (8142)55-98-37
 Псков (8112)59-10-37
 Пермь (342)205-81-47

Россия (495)268-04-70

Ростов-на-Дону (863)308-18-15
 Рязань (4912)46-61-64
 Самара (846)206-03-16
 Саратов (8342)22-96-24
 Санкт-Петербург (812)309-46-40
 Саратов (845)249-38-78
 Севастополь (8692)22-31-93
 Симферополь (3652)67-13-56
 Смоленск (4812)29-41-54
 Сочи (862)225-72-31
 Ставрополь (8652)20-65-13
 Сыктывкар (8212)25-95-17
 Сургут (3462)77-98-35
 Тамбов (4752)50-40-97
 Тверь (4822)63-31-35

Казахстан (772)734-952-31

Тольяти (8482)63-91-07
 Томск (3822)98-41-53
 Тула (4872)33-79-87
 Тюмень (3452)66-21-18
 Улан-Удэ (3012)59-97-51
 Ульяновск (8422)24-23-59
 Уфа (347)229-48-12
 Хабаровск (4212)92-98-04
 Чебоксары (8352)28-53-07
 Челябинск (351)202-03-61
 Череповец (8202)49-02-64
 Чита (3022)38-34-83
 Якутск (4112)23-90-97
 Ярославль (4852)69-52-93